

Grey cast iron gully inlet 600 × 400, class D400, H115/150, full flange, hinged grating with bolt locking

Standard: PN – EN 124-2:2015-7

Material: Grating, frame – grey cast iron EN-GJL-250

Marking: LK, D400, EN124-2, IO-CERT, construction mark B

Grating dimensions: 600 × 400 mm

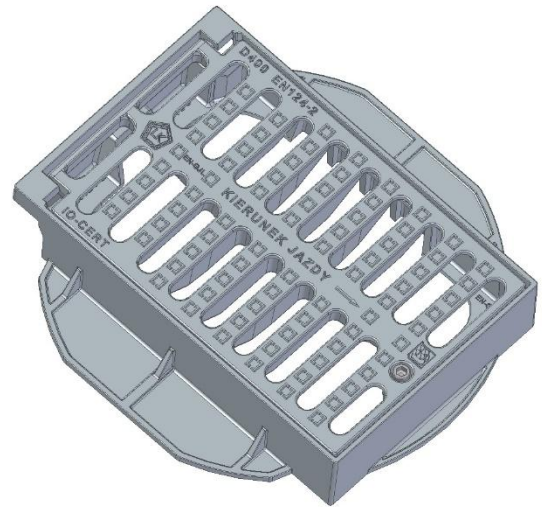
Water drainage area: 769 cm²

Grating opening angle: 102°

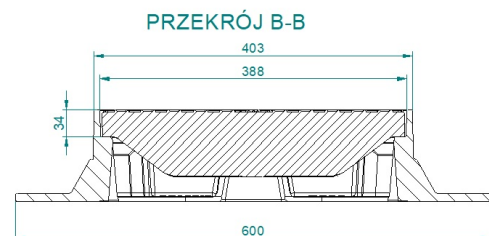
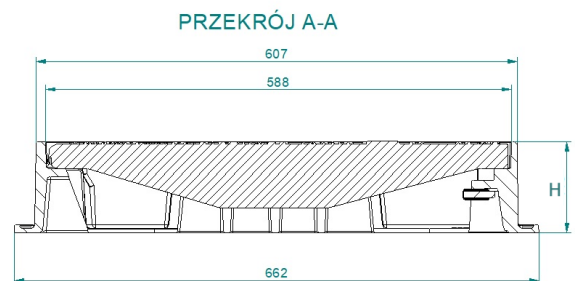
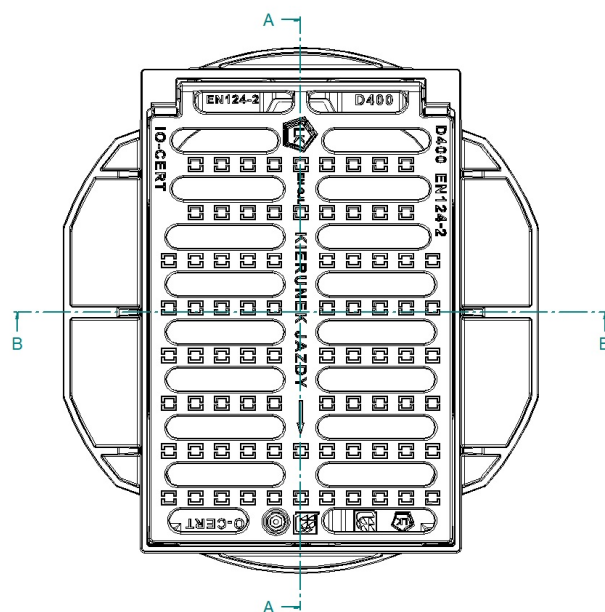
Locking: bolt

Application: for installation in areas classified as Group 4 (according to PN-EN 124-1)

Installation of a sediment basket (type D1 or C3) is possible using an adapter (index 81160).



Product name	Index	Frame height [mm]	Qty / Pallet
Grey cast iron gully inlet 600 × 400, class D400, H115, full flange, hinged grating with bolt locking	81528	115	16
Grey cast iron gully inlet 600 × 400, class D400, H150, full flange, hinged grating with bolt locking	81531	150	14



Notes: Products are not painted.

Custom branding: upon prior arrangement, it is possible to place the customer's name on the grating. Follow installation, operation, and maintenance instructions.

Product warranty: 36 months

The product cross-section shown in the drawing is for reference only—we reserve the right to introduce design changes to improve the product.