

D400 manhole cover – cover seating depth 50 mm

D400 manhole cover, made of grey cast iron, clear opening $\varnothing 600$, with a 50 mm cover seating depth, with a damping insert in the frame.

Standard: PN – EN 124-2:2015-7

Material: cover – grey cast iron
frame – grey cast iron

Cover diameter: 640 mm

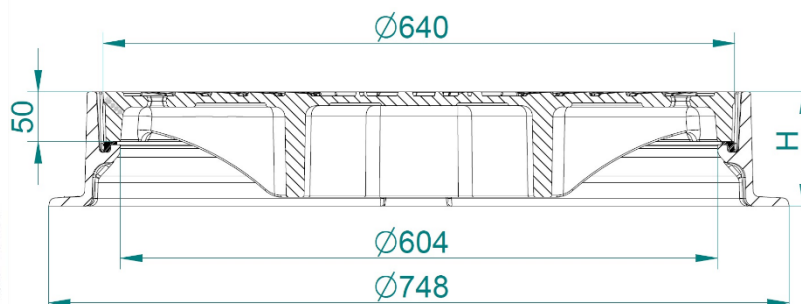
Cover seating depth: 50 mm

Locking: 2 bolts screwed in place (applies to versions with locking)

Marking: LK, D400, EN 124-2, IO-CERT, construction mark B

Application: for installation in road carriageways (including pedestrian streets), hard shoulders, and parking areas, for all types of road vehicles

Manhole cover variant	Frame height [mm]	Index	Qty / pallet
Manhole cover LK 600, class D400, with 50 mm cover seating depth	115	81538	12
	150	81542	10
Manhole cover LK 600, class D400, with 50 mm cover seating depth, ventilated	115	81540	12
	150	81544	10
Manhole cover LK 600, class D400, with 50 mm cover seating depth, with locking	115	81539	12
	150	81543	10
Manhole cover LK 600, class D400, with 50 mm cover seating depth, ventilated with locking	115	81541	12
	150	81545	10



All products feature cover positioning in the frame. It is possible to order manhole covers without cover positioning. Products are not painted.

Custom branding: upon prior arrangement, it is possible to place the customer's logo on the manhole cover.

Product warranty: 36 months.

Note: Follow installation, operation, and maintenance instructions.

The product cross-section shown in the drawing is for reference only – we reserve the right to introduce design changes to improve the product.